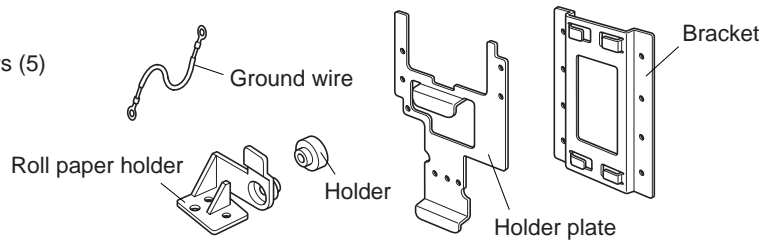
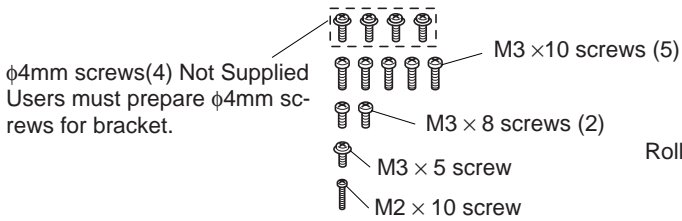


Attaching the Wall Mounting Bracket of SP2000

1. Unpacking : Confirm that all accessories are included.



2. Attaching procedure :

Note1) Unplug the power plug from the outlet.

Note2) Select a position that is not subjected to mechanical shocks or exposed to moisture. Also, confirm that the wall is wide enough for attachment.

2-1 How to attach the bracket

- ① If attachment on the wall is not possible, fasten a board, having the minimum dimensions of 120mm×170mm×5mm, to the wall.
- ② Apply the bracket and mark the positions of the screw holes.
- ③ Drill screw holes in the marked positions.
- ④ Firmly tighten and fix the bracket to the wall with screws. Attach and fix the bracket with the four $\phi 4$ mm screws.
Use screws having sufficient length to secure the bracket.

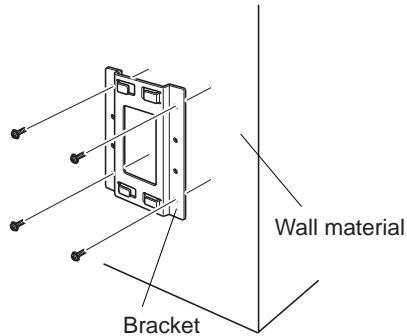


fig.1 Attaching the bracket

2-2 How to attach the holder plate and ground wire

- ① Firmly tighten the five accessory screws M3 in the direction shown in the figure to attach the holder plate onto the printer.
Tightening torque : $9\text{N}\cdot\text{m} \pm 0.1\text{N}\cdot\text{m}$
- ② Firmly tighten the flanged accessory screw M3×5 and the accessory screw M3×10 to attach the ground wire to the printer.

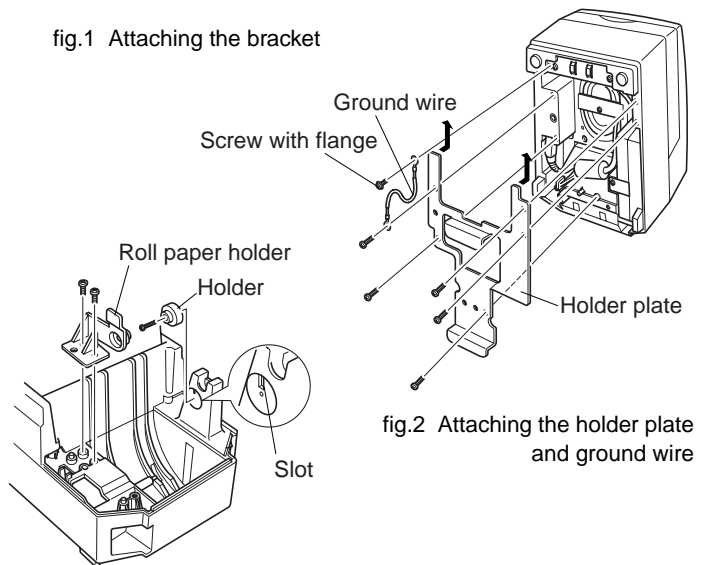


fig.2 Attaching the holder plate and ground wire

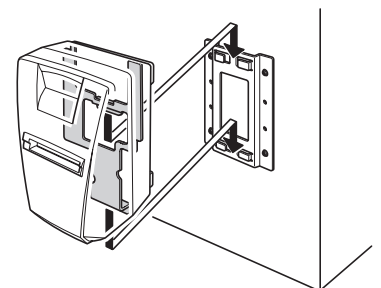
2-3 Setting the roll paper holder

- ① Remove the printer cover.
- ② Position the holder with the slot and tighten the accessory screw M2 to attach the holder onto the printer.
- ③ Firmly tighten the two accessory screws M3 to attach the roll paper holder onto the printer.

fig.3 Setting the roll paper holder

2-4 Setting the printer

Slide the printer main unit downward from the top of the bracket so that the holder plate guides it to a secure position.



2-5 Setting the roll paper

Move the roll paper holder in the direction of the arrow, and insert the roll so that the holes in the core align with the axes of the roll paper holder. Release the roll paper holder to secure the roll paper.

